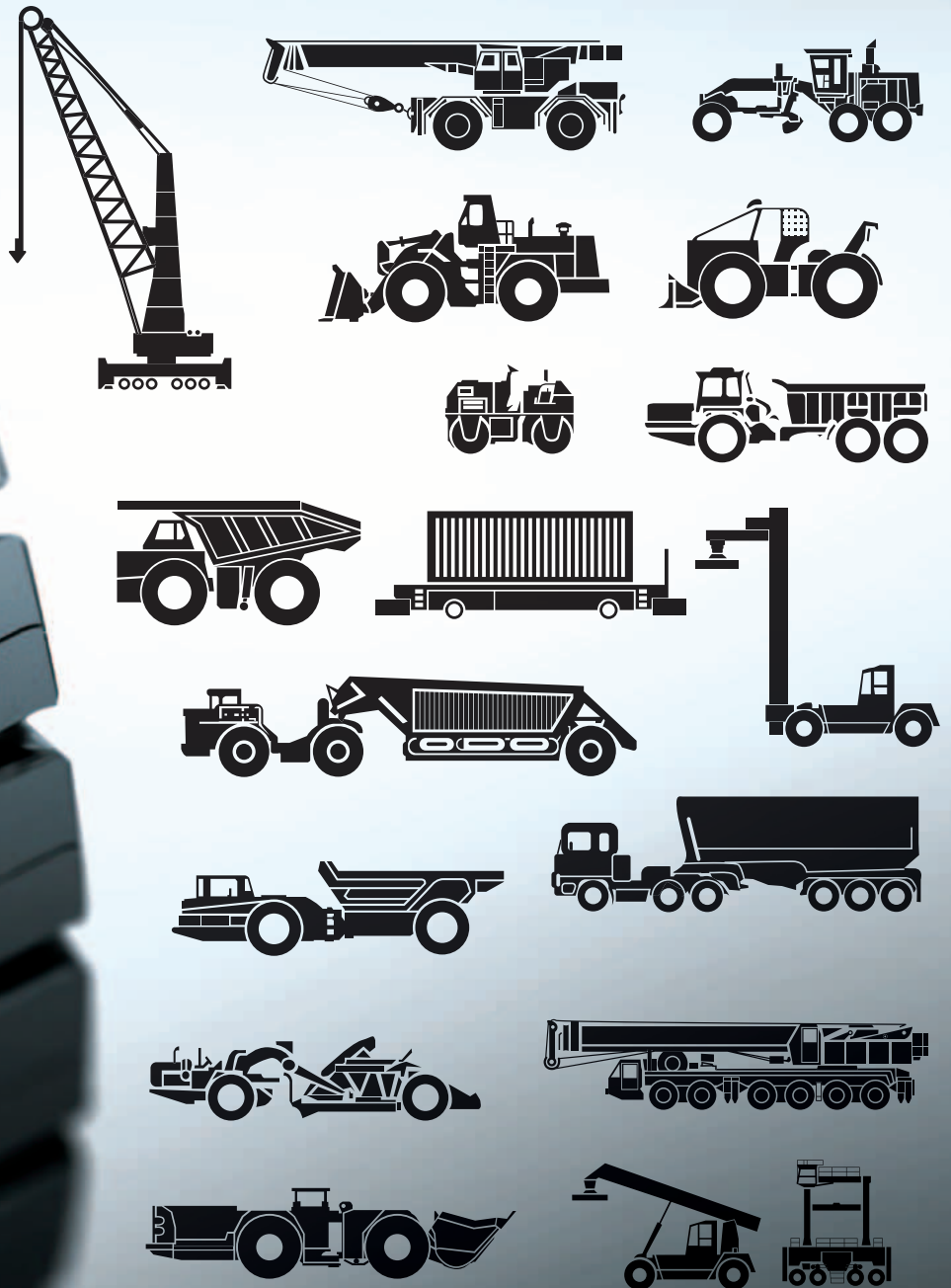


# BRIDGESTONE

## PATTERN DIGEST

OFF-THE-ROAD TIRES



## IMPORTANT NOTICE

This catalogue contains brief pattern descriptions and size ranges for Bridgestone brand tires.

As the descriptions in this catalogue are brief and all tires are not necessarily suited to all markets, please consult with our sales representatives or distributors before ordering new products.

We look forward to assisting you so that your customers can get the most out of our high-quality products.

\*\*Due to constant advances in tire technology, the contents of this catalogue are subject to change without prior notice.

©2013 Off-The-Road Tire Department, Bridgestone Corporation, Tokyo, Japan.

All rights reserved.

No part of this catalogue may be reproduced in any form, by any electronic or mechanical means, including information storage and retrieval devices or systems, without prior written permission from Off-The-Road Tire Department, Bridgestone Corporation, Tokyo, Japan.

## GENERAL INFORMATION

p2

## RADIAL TIRE

p5

## BIAS TIRE

p29

### Introduction












■ Since the 1950's, Bridgestone Corporation has been manufacturing superior quality Off-The-Road tires for mining and heavy-duty construction projects. During these six decades, Bridgestone has become a household word in the mining and construction industry, earning a reputation as a maker of tough, long-lasting, high-performance tires. Furthermore, Bridgestone Off-The-Road tires are backed up by a technical and customer service network that is unmatched around the world. ■ Bridgestone offers a tire for every job, for every condition. Our products feature the latest advances in radial tire technology. Our Off-The-Road radial tires enable you to tackle the toughest of construction or mining projects. Whether your work requires conventional bias tires or the finest in durable radials. Bridgestone is equipped to meet your needs. ■ Bridgestone, widely acknowledged as a world leader in the manufacture of Off-The-Road tires, stands for quality: quality design, quality products, quality service. ■ Let Bridgestone serve you!

# GENERAL INFORMATION

## CLASSIFICATION

### Uses and Characteristics of Off-The-Road Tires

The characteristics that Off-The-Road tires must possess differ according to their function and the type of vehicles they are mounted on.

Type/Service	Vehicles	TRA CODE	Radial	Bias
Earthmover	 Rigid dump trucks	E-2	VUT VKT VSB VFT VHS VSW	
	 Articulated dump trucks	E-3	VLT VMT VTS VEL VRL VRF	RL VL2
	 Coal haulers	E-4	L317 VLTS VSNT VMTS VMTP VZTS VZTP VELS VRLS VREP VRDP VRPS VRQP	ELS2
	 Scrapers			
	 Off road trucks	E-7	VSJ	SCP2
Grader	 Graders	G-2	VUT VKT VSW	FG
		G-3		RL
		G-4	VMTS	
Loader and Dozer	 Loaders, Bulldozers	L-2	VUT VKT VSW	FG
		L-3	VLT VJT VTS	RL VL2
		L-4	VLTS VSNT VSNL	RLS NL
		L-5	VSDT VSDL VSDR	DL
		L-5S	VSMS	STMS
Compactor	 Tire-rollers	C-1		RR
		C-2		AL2
Logging	 Log-skidders	LS-2	VSB	
Mobile Crane	 All-Terrain Cranes	Mobile Crane Service	VHS VSW	
Industrial	 Handling & Towing Equipments	Industrial Service	VHB VEL VCH VCHD VCHR VCHS VELS VRLS VSDL VSMS	RL RLS ELS2 STMS YS2

## LOAD INDEX

The LOAD INDEX is an international numerical code for the maximum load a tire can carry at the speed indicated by its speed symbol under service conditions specified by Bridgestone.

LI	kg	LI	kg	LI	kg	LI	kg	LI	kg	LI	kg
0	45	50	190	100	800	150	3 350	200	14 000	250	60 000
1	46.2	51	195	101	825	151	3 450	201	14 500	251	61 500
2	47.5	52	200	102	850	152	3 550	202	15 000	252	63 000
3	48.7	53	206	103	875	153	3 650	203	15 500	253	65 000
4	50	54	212	104	900	154	3 750	204	16 000	254	67 000
5	51.5	55	218	105	925	155	3 875	205	16 500	255	69 000
6	53	56	224	106	950	156	4 000	206	17 000	256	71 000
7	54.5	57	230	107	975	157	4 125	207	17 500	257	73 000
8	56	58	236	108	1 000	158	4 250	208	18 000	258	75 000
9	58	59	243	109	1 030	159	4 375	209	18 500	259	77 500
10	60	60	250	110	1 060	160	4 500	210	19 000	260	80 000
11	61.5	61	257	111	1 090	161	4 625	211	19 500	261	82 500
12	63	62	265	112	1 120	162	4 750	212	20 000	262	85 000
13	65	63	272	113	1 150	163	4 875	213	20 600	263	87 500
14	67	64	280	114	1 180	164	5 000	214	21 200	264	90 000
15	69	65	290	115	1 215	165	5 150	215	21 800	265	92 500
16	71	66	300	116	1 250	166	5 300	216	22 400	266	95 000
17	73	67	307	117	1 285	167	5 450	217	23 000	267	97 500
18	75	68	315	118	1 320	168	5 600	218	23 600	268	100 000
19	77.5	69	325	119	1 360	169	5 800	219	24 300	269	103 000
20	80	70	335	120	1 400	170	6 000	220	25 000	270	106 000
21	82.5	71	345	121	1 450	171	6 150	221	25 750	271	109 000
22	85	72	355	122	1 500	172	6 300	222	26 500	272	112 000
23	87.5	73	365	123	1 550	173	6 500	223	27 250	273	115 000
24	90	74	375	124	1 600	174	6 700	224	28 000	274	118 000
25	92.5	75	387	125	1 650	175	6 900	225	29 000	275	121 000
26	95	76	400	126	1 700	176	7 100	226	30 000	276	125 000
27	97	77	412	127	1 750	177	7 300	227	30 750	277	128 000
28	100	78	425	128	1 800	178	7 500	228	31 500	278	132 500
29	103	79	437	129	1 850	179	7 750	229	32 500	279	136 000
30	106	80	450	130	1 900	180	8 000	230	33 500		
31	109	81	462	131	1 950	181	8 250	231	34 500		
32	112	82	475	132	2 000	182	8 500	232	35 500		
33	115	83	487	133	2 060	183	8 750	233	36 500		
34	118	84	500	134	2 120	184	9 000	234	37 500		
35	121	85	515	135	2 180	185	9 250	235	38 750		
36	125	86	530	136	2 240	186	9 500	236	40 000		
37	128	87	545	137	2 300	187	9 750	237	41 250		
38	132	88	560	138	2 360	188	10 000	238	42 500		
39	136	89	580	139	2 430	189	10 300	239	43 750		
40	140	90	600	140	2 500	190	10 600	240	45 000		
41	145	91	615	141	2 575	191	10 900	241	46 250		
42	150	92	630	142	2 650	192	11 200	242	47 500		
43	155	93	650	143	2 725	193	11 500	243	48 750		
44	160	94	670	144	2 800	194	11 800	244	50 000		
45	165	95	690	145	2 900	195	12 150	245	51 500		
46	170	96	710	146	3 000	196	12 500	246	53 000		
47	175	97	730	147	3 075	197	12 850	247	54 500		
48	180	98	750	148	3 150	198	13 200	248	56 000		
49	185	99	775	149	3 250	199	13 600	249	58 000		

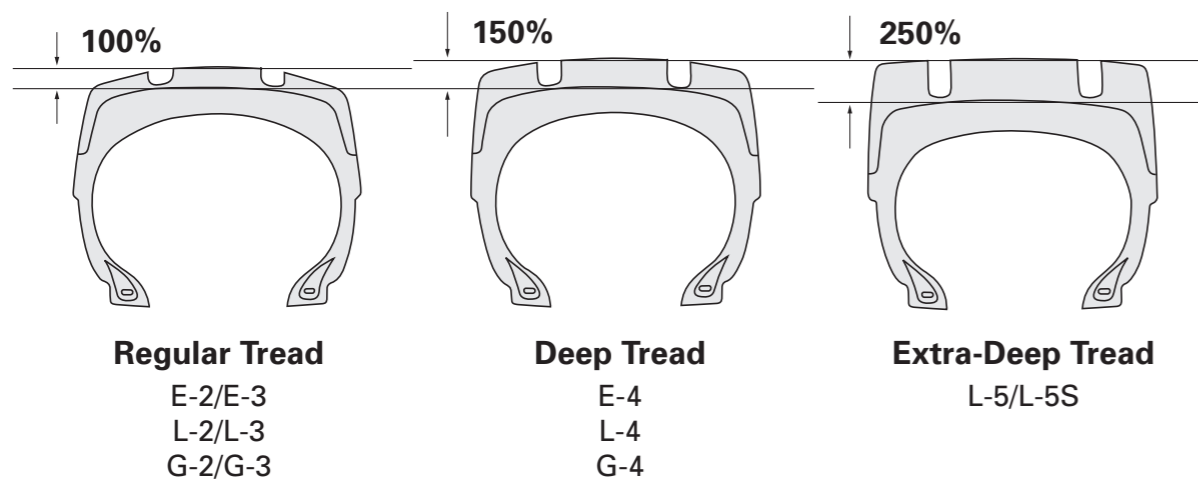
## SPEED SYMBOL

The SPEED SYMBOL indicates the speed at which the tire can carry a load corresponding to its load index under service conditions specified by Bridgestone.

Speed Symbol	Speed (km/h)
A1	5
A2	10
A3	15
A4	20
A5	25
A6	30
A7	35
A8	40

Speed Symbol	Speed (km/h)
B	50
C	60
D	65
E	70
F	80
G	90

## COMPARISON OF TREAD DEPTH



## OFF-THE-ROAD

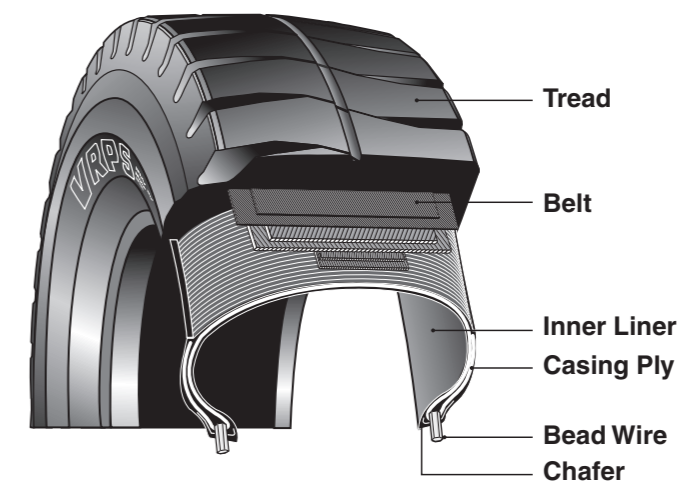
# RADIAL TIRES

- **Earthmover Service** ..... 10
- **Sand Service**..... 18
- **Grader Service** ..... 18
- **Loader and Dozer Service** .....20
- **Mobile Crane Service** .....24
- **Industrial Service**.....24

## TIRE COMPONENTS

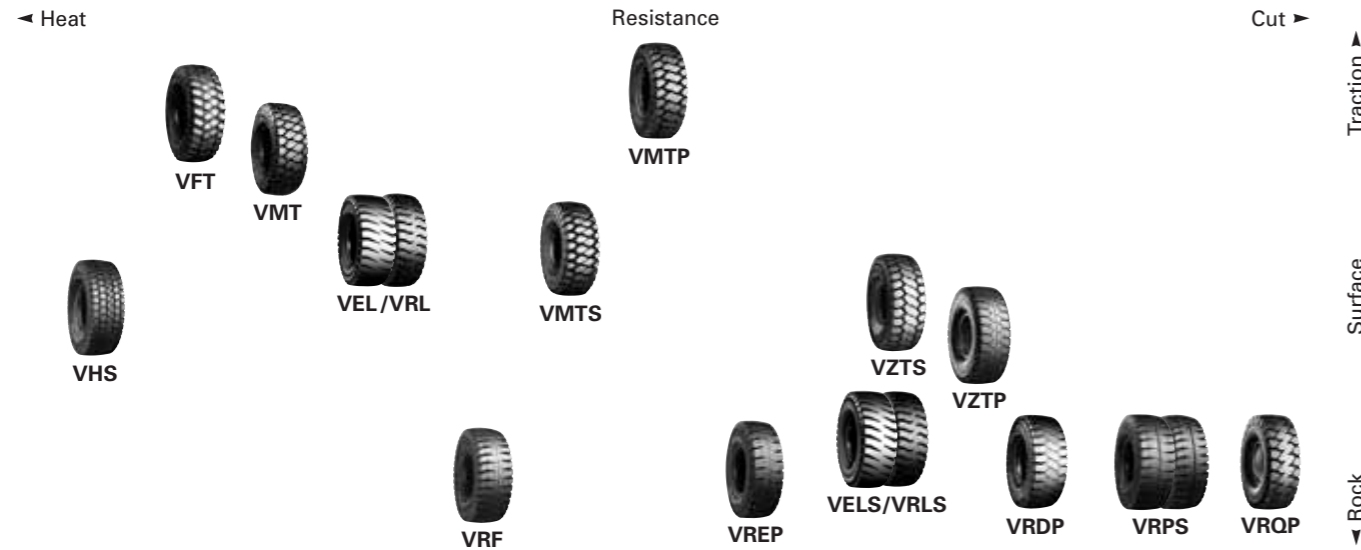
### BREAKDOWN OF OFF-THE-ROAD RADIAL TIRES

This figure shows the basic construction of Bridgestone Off-The-Road radial tires. This type of radial tire in any pattern consists of a casing, tough bead wires and belts, and is designed for maximum performance. Note that the internal construction, thickness of rubber, etc., of radial tires are different depending on the size, pattern and star rating of the tire.



**EARTHMOVER SERVICE** > P10-17

**Rigid dump trucks / Bottom dump trucks**



	E2		E3			E4									
	VHS	VFT	VMT	VEL	VRL	VRF	VMTP	VZTS	VZTP	VELS	VRLS	VREP	VRDP	VRPS	VRQP
16.00 R25						★2					★2				
18.00 R25				★2		★2				★2					
18.00 R33		★2		★2		★2	★2			★2					★2
21.00 R33							★2				★2				
21.00 R35				★2			★2			★2					
24.00 R35						★2	★2				★2				★2
24.00 R49		★2				★2	★2				★2				
27.00 R49		★2			★2	★2	★2				★2	★2			
31/90 R49										★2					
30.00 R51			★2							★2					
33.00 R51			★2				★2			★2		★2	★2		
36.00 R51	★2									★2					
37.00 R57								★2		★2					
42/90 R57												★2			
40.00 R57			★2					★2	★2			★2	★2		
46/90 R57								★2	★2			★2	★2		
50/90 R57														★2	
53/80 R63						★2						★2	★2		
59/80 R63						★2							★2	★2	

**Articulated dump trucks**



	E3	E4
	VLT	VLTS
20.5 R25	MS	MS
23.5 R25	MS	MS
750/65 R25	MS	★2
26.5 R25	MS	★2
29.5 R25	MS	★2
875/65 R29		MS

**Off road trucks**



	E2	E4			
	VSB	L317	VMTP	VMTS	VRLS
11.00 R20		★3			
12.00 R20		★3			
11 R22.5		14			
12 R22.5		★3			
12.00 R24		★3	★3		
14.00 R24	★3			★3	★3
14.00 R25	★3			★3	★3

**Shuttle trucks (Underground)**



	E4
	VSNT
26.5 R25	MS
29.5 R25	MS
29.5 R29	MS
35/65 R33	MS

**Scrapers**



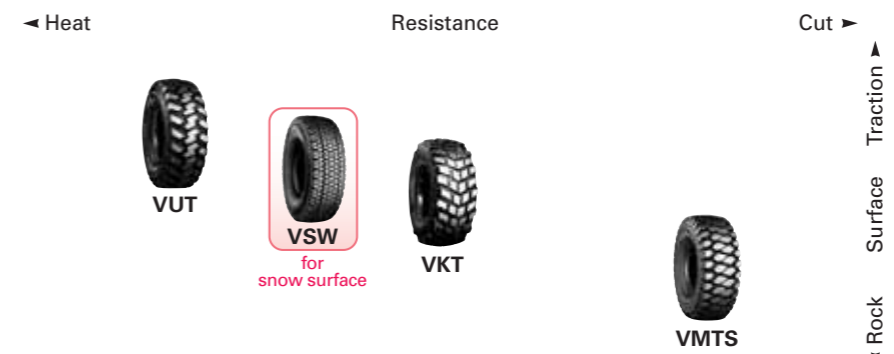
	E2	E3	
	VKT	VLT	VRL
29.5 R29	★2		
33.25 R29		★2	
29.5 R35			★2
33.25 R35			★2
37.25 R35		★2	★2
37.5 R39	★2		
40.5/75 R39		★2	★2

**SAND SERVICE** > P18



	E7
	VSJ
16.00 R20	○
21.00 R25	○

**GRADER SERVICE** > P18-19



	VUT	G2	VSW	G4
	VUT	VKT	VSW	VMTS
13.00 R24TG	★1			
14.00 R24TG	★1	★1	★1 ★3	★1
16.00 R24TG		★1	★1	
15.5 R25	★1 ★2			
17.5 R25	★1	★1	★1	
20.5 R25	★1			
23.5 R25	★1			

\* MS=Multiple Star Rating  
Bridgestone Radial Tires marked with "LOADER AND DOZER ★(one star)" and "EARTHMOVER ★★(two star)" have specified load capacity on each servicing condition.

**LOADER AND DOZER SERVICE** > P20-23

**Loaders and Dozers**



	L2			L3		L4			L5			L5S
	VUT	VKT	VSW	VJT	VTS	VLTS	VSNT	VSNL	VSDT	VSDL	VSDR	VSMS
8.25 R15										★2		
10.00 R15										★2		
14.5 R15										★2		
9.00 R20												★2
12.00 R20										★2		★2
14.00 R20								★2				
335/80 R20	○											
365/80 R20	○											
405/70 R20	○											
12.00 R24												★2
14.00 R24												★2
14.00 R24TG		★1	★1									
15.5 R25	★1 ★2	★1								★1		
17.5 R25	★1	★1	★1	★1 ★2						★1 ★2		★1 ★2
550/65 R25					★1							
18.00 R25												★1 ★2
20.5 R25	★1	★1	MS	★1		MS				★1 ★2	★1 ★2	
600/65 R25			★1									
650/65 R25					★1							
23.5 R25	★1	★1	MS	★1 ★2		MS			★1 ★2	★1 ★2		
750/65 R25					★1							
26.5 R25		★1		★1 ★2		MS ★2			★1 ★2	★1 ★2		★1 ★2
775/65 R29					★1							
29.5 R25				★1		MS ★2			★1 ★2	★1 ★2		
875/65 R29					MS	MS						
29.5 R29						MS ★2			★1 ★2	★1 ★2		★2
35/65 R33						MS ★2	★2	★1 ★2	★1 ★2	★1 ★2		
45/65 R39									★1			
45/65 R45							★2		★1 ★2			
50/65 R51									★2			
55.5/80 R57										○		
60/80 R57										○		

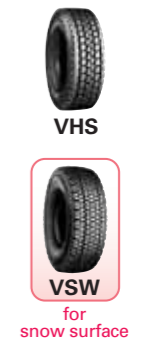
\* MS=Multiple Star Rating  
Bridgestone Radial Tires marked with "LOADER AND DOZER ★(one star)" and "EARTHMOVER ★★(two star)" have specified load capacity on each servicing condition.

**Load Haul Dumps (Underground)**



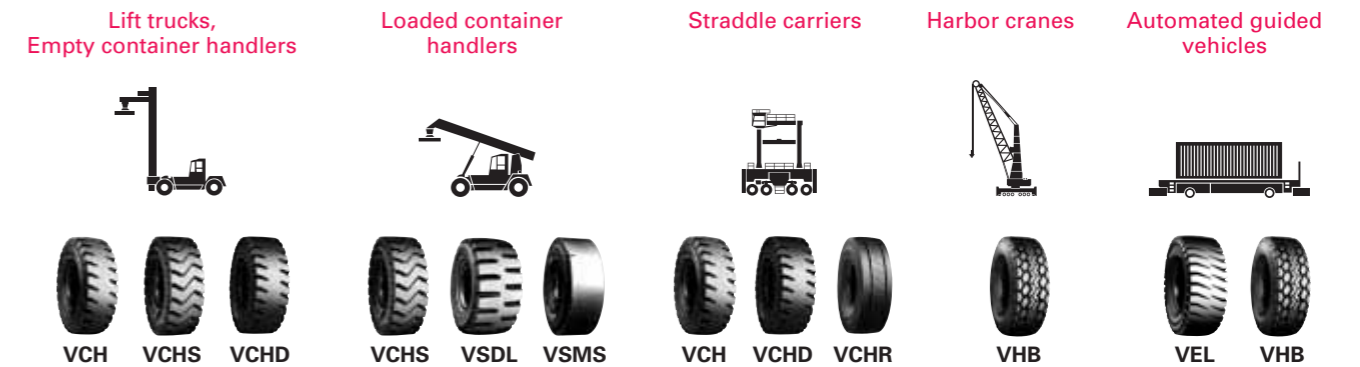
	L4		L5			L5S
	VSNT	VSNL	VSDT	VSDL	VSDR	VSMS
12.00 R24						★2
14.00 R24						★2
17.5 R25				★2		★2
18.00 R25						★2
20.5 R25				★2	★2	
23.5 R25			★2	★2		
26.5 R25	★2		★2	★2		★2
29.5 R25	★2		★2	★2		
29.5 R29	★2		★2	★2		★2
35/65 R33	★2	★2	★2	★2		

**MOBILE CRANE SERVICE**



	VHS		VSW
	385/95 R24	170E	
385/95 R25	170E	170F	170E
445/95 R25	177E	174F	177E
505/95 R25	186E		
525/80 R25	176F		

**INDUSTRIAL SERVICE** > P24-27



	VHB	VCHR	VEL	VSMS	VSDL	VCH	VCHS	VCHD
12.00 R20						★3	★3	
12.00 R24						★2	○	
14.00 R24	★3					★3	★3	
14.00 R24TG							★3	
16.00 R25	★2	○						○
18.00 R25	★3		★3	★2			★3	
23.5 R25					★2			
18.00 R33							★3	

Earthmover Service ▶



# VHS

V-STEEL H-SERVICE  
E-2



Minimum heat build-up enables high-speed operation for coal and bauxite hauling. Reducing irregular wear means a longer tread life. Suitable for rigid or bottom-type coal haulers in high TKPH operations.

Size	Type	Star Rating
36.00 R51	T/L	★2



# VFT

V-STEEL F-TRACTION  
E-2



Provides good traction, generates low heat and assures long tread life on soft, muddy or packed surfaces.

Size	Type	Star Rating
18.00 R33	T/L	★2
24.00 R49	T/L	★2
27.00 R49	T/L	★2



# VMT

V-STEEL M-TRACTION  
E-3



Normal-depth tread with a non-directional traction pattern, featuring strong resistance to heat build-up. Most suitable for hauling equipment used in coal mines, and equally applicable to operations on soft or muddy surfaces.

Size	Type	Star Rating
30.00 R51	T/L	★2
33.00 R51	T/L	★2
40.00 R57	T/L	★2



# VEL

V-STEEL E-LUG  
E-3



Normal-depth tread with sidewall protectors. High resistance to shock damage, cutting and chipping. Suitable for rocky surfaces, such as rocky or packed roads.

Size	Type	Star Rating
18.00 R25	T/L	★2
18.00 R33	T/L	★2
21.00 R35	T/L	★2



# VRL

V-STEEL R-LUG  
E-3



Normal-depth tread designed for longer and higher speed hauling. VRL's attributes, including great resistance to heat build-up, and strong resistance to cutting and chipping, make it suitable for large dump trucks in earthmoving work.

Size	Type	Star Rating
27.00 R49	T/L	★2



# VRF

V-STEEL ROCK FAST  
E-3



VRF has great wear and cut resistance and has a long tread life as an E-3 premium pattern. Recommended especially for giant-size rigid dump trucks used in high-speed operations.

Size	Type	Star Rating
53/80 R63	T/L	★2
59/80 R63	T/L	★2

Earthmover Service ▶



# VMTS

V-STEEL M-TRACTION S

E-4



Non-directional deep tread pattern for strong traction, especially resistant to side-slipping. High wear resistance ensures long tread life. Applicable for muddy or soft surfaces.

Size	Type	Star Rating
14.00 R24	T/T	★3
14.00 R25	T/L	★3
16.00 R25	T/L	★2
18.00 R25	T/L	★2
18.00 R33	T/L	★2
24.00 R35	T/L	★2
27.00 R49	T/L	★2



# VMTP

V-STEEL M-TRACTION PREMIUM

E-4



Non-directional extra-deep tread corresponding to E4.5 ensures long tread life and offers superior traction, especially on muddy surfaces.

Size	Type	Star Rating
12.00 R24	T/T	★3
18.00 R33	T/L	★2
21.00 R33	T/L	★2
21.00 R35	T/L	★2
24.00 R35	T/L	★2
24.00 R49	T/L	★2
27.00 R49	T/L	★2
33.00 R51	T/L	★2



# VZTS

V-STEEL Z-TRACTION S

E-4



Deep tread pattern with sidewall protectors. Specifically designed for giant dump trucks. Non-directional deep tread pattern ensures excellent traction and strong resistance to side-slipping as well as long life and cut resistance on rocky surfaces.

Size	Type	Star Rating
37.00 R57	T/L	★2
40.00 R57	T/L	★2



# VZTP

V-STEEL Z-TRACTION PREMIUM

E-4



Extra-deep tread pattern with sidewall protectors. VZTP focuses especially on traction, extra-long tread life and superior cut resistance. Narrow center tread grooves, which reduce tread block movement and help with heat dissipation, along with wider side lugs, achieves the perfect balance of opposing performance targets: traction, tread life, and heat resistance. VZTP can be the best solution for large, rigid dump trucks working on muddy surfaces.

Size	Type	Star Rating
46/90 R57	T/L	★2



# VELS

V-STEEL E-LUG S

E-4



18.00R25~21.00R35 31/90R49  
40.00R57

Deep tread pattern with sidewall protectors. Suited for abrasive roads, such as rocky, gravel or packed surfaces. High resistance to cutting, chipping and shock damage.

Size	Type	Star Rating
18.00 R25	T/L	★2
18.00 R33	T/L	★2
21.00 R35	T/L	★2
31/90 R49	T/L	★2
40.00 R57	T/L	★2



# VRLS

V-STEEL R-LUG S

E-4



21.00R33~ 14.00R24~  
37.00R57 16.00R25

Rock-deep tread with tough lug and sidewall protectors. High resistance to cutting and chipping for long tread life. Specially designed for dump trucks engaged in earthmoving.

Size	Type	Star Rating
14.00 R24	T/T	★3
14.00 R25	T/L	★3
16.00 R25	T/L	★2
21.00 R33	T/L	★2
	T/T	★2
24.00 R35	T/L	★2
24.00 R49	T/L	★2
27.00 R49	T/L	★2
30.00 R51	T/L	★2
33.00 R51	T/L	★2
36.00 R51	T/L	★2
37.00 R57	T/L	★2





# VREP

V-STEEL ROCK E-PREMIUM  
E-4



Without sacrificing wear resistance compared to the current standard pattern, VREP minimizes heat generation and achieves the highest TKPH among current E-4 rock patterns. This makes it suitable for giant rigid dump trucks running at high speeds which can cause extreme heat buildup inside the tire.

Size	Type	Star Rating
27.00 R49	T/L	★2



# VRDP

V-STEEL ROCK DEEP PREMIUM  
E-4



Extra-deep rock tread with sidewall protectors is the main feature of VRDP, enabling extended tread life and super cut resistance without compromising resistance to heat build-up. VRDP is suitable for giant rigid dump trucks. Can be used on abrasive or rocky road surfaces and can reduce cost per performance of standard E-4 rock patterns.

Size	Type	Star Rating
33.00 R51	T/L	★2
42/90 R57	T/L	★2
40.00 R57	T/L	★2
46/90 R57	T/L	★2
53/80 R63	T/L	★2



# VRPS

V-STEEL ROCK PREMIUM SERVICE  
E-4



46/90R57 53/80R63

With a special tread pattern and optimal tire rigidity, VRPS tires boast longer tread life and greater resistance to wear and tear than VRDP tires, so they are recommended especially for use in copper, iron, gold and other metal mines that require extra protection against tire wear, cuts and penetration.

Size	Type	Star Rating
33.00 R51	T/L	★2
40.00 R57	T/L	★2
46/90 R57	T/L	★2
50/90 R57	T/L	★2
53/80 R63	T/L	★2
59/80 R63	T/L	★2



# VRQP

V-STEEL ROCK QUARRY PREMIUM  
E-4



Extra-thick tread pattern VRQP assures longer tread life and superior cut resistance. Greatly reduces total tire costs for replacement. Specially developed for mid-size rigid dump trucks working in quarries and other tough operations.

Size	Type	Star Rating
18.00 R33	T/L	★2
24.00 R35	T/L	★2



# VLT

V-STEEL L-TRACTION  
E-3



Suitable for wet, soft or muddy surfaces with excellent maneuverability, traction and flotation.

Size	Type	Star Rating
177B 20.5 R25	T/L MS	
185B 23.5 R25	T/L MS	
190B 750/65 R25 (30/65 R25)	T/L MS	
193B 26.5 R25	T/L MS	
200B 29.5 R25	T/L MS	



# VLTS

V-STEEL L-TRACTION S  
E-4



Offers outstanding cut resistance and long tread life on rocky or gravel surfaces in mining, quarry and construction, with superior traction.

Size	Type	Star Rating
177B 20.5 R25	T/L MS	
185B 23.5 R25	T/L MS	
190B 750/65 R25 (30/65 R25)	T/L ★2	
193B 26.5 R25	T/L ★2	
200B 29.5 R25	T/L ★2	
203B 875/65 R29	T/L MS	



**VKT**  
V-STEEL K-TRACTION  
E-2



Ideal for soft or muddy surfaces, offering good traction and flotation.

Size	Type	Star Rating
29.5 R29	T/L	★2
37.5 R39	T/L	★2



**VLT**  
V-STEEL L-TRACTION  
E-3



Wide and self-cleaning tread pattern offers excellent maneuverability, traction and flotation on soft or muddy surfaces.

Size	Type	Star Rating
33.25 R29	T/L	★2
37.25 R35	T/L	★2
40.5/75 R39	T/L	★2



**VRL**  
V-STEEL R-LUG  
E-3



Tough lug-pattern VRL features excellent traction as well as good resistance to cutting and casing fatigue. Suitable for scrapers on rocky surfaces.

Size	Type	Star Rating
29.5 R35	T/L	★2
33.25 R35	T/L	★2
37.25 R35	T/L	★2
40.5/75 R39	T/L	★2



**VSB**  
V-STEEL S-BLOCK  
E-2



VSB exhibits excellent traction and maneuverability. Suitable for both gravel and hard packed surfaces like paved roads. Designed for heavy-duty trucks and trailers.

Size	Type	Star Rating
14.00 R24	T/T	★3
14.00 R25	T/L	★3



**L317**  
E-4



This tire's features are extra-long life, superior cut resistance and excellent traction. The casing is reinforced by ★3 for heavy-duty mining trucks in cyclical operation.

Size	Type	Star Rating
11.00 R20	T/T	★3
12.00 R20	T/T	★3
11 R22.5	T/L	14
12 R22.5	T/L	★3
12.00 R24	T/T	★3



**VSNT**  
V-STEEL N-TRACTION  
E-4



Unique non-directional traction pattern VSNT provides optimum traction without compromising tread life. The wide tread is our concept to minimize sidewall cuts. Applicable for shuttle trucks in underground mines.

Size	Type	Star Rating
26.5 R25	T/L	MS
29.5 R25	T/L	MS
29.5 R29	T/L	MS
35/65 R33	T/L	MS

**Sand Service** ▶

**Grader Service** ▶

**VSJ**  
V-STEEL JAMAL  
E-7



The unique tread design ensures maximum flotation and traction. VSJ is designed with a steel radial construction for operating on desert or soft ground, as well as paved roads.

Size	Type	Ply Rating
16.00 R20	T/L	28
	T/T	28
21.00 R25	T/L	

**VUT**  
V-STEEL ULTRA TRACTION  
G-2



Non-directional pattern VUT features superior traction and excellent self-cleaning. Lighter weight provides superior maneuverability and fuel consumption.

Size	Type	Star Rating
13.00 R24TG	T/L	★1
14.00 R24TG	T/L	★1
15.5 R25	T/L	★1 ★2
17.5 R25	T/L	★1
20.5 R25	T/L	★1
23.5 R25	T/L	★1

**VKT**  
V-STEEL K-TRACTION  
G-2



Features exceptional stability and self-cleaning tread pattern. Ideal for soft, muddy surfaces, offering good traction and flotation.

Size	Type	Star Rating
14.00 R24TG	T/L	★1
16.00 R24TG	T/L	★1
17.5 R25	T/L	★1

**VSW**  
V-STEEL SNOW WEDGE  
G-2



VSW is the first of its kind in snow radials, especially developed for machines used in snow removal work. This tire has excellent traction from a standing start and during acceleration as well as superior cornering and braking performance, especially on icy, packed or soft snow surfaces. VSW provides all-season service, requiring no replacement during summer and offers exceptional ability to be retreaded.

Size	Type	Star Rating
14.00 R24TG	T/L	★1 ★3
16.00 R24TG	T/L	★1
153A8 17.5 R25	T/L	★1

**VMTS**  
V-STEEL M-TRACTION S  
G-4



Non-directional deep tread pattern offers superior traction and extra-long tread life. Designed especially for graders in underground mines or quarries.

Size	Type	Star Rating
14.00 R24TG	T/L	★1

Loader and Dozer Service ▶



# VUT

V-STEEL ULTRA TRACTION  
L-2



For Compact Loader 335/80R20~405/70R20 For Loader 15.5R25~23.5R25

Non-directional pattern VUT features superior traction and excellent self-cleaning. Lighter weight provides superior maneuverability and fuel consumption.

Size	Type	Star Rating
147A2 335/80 R20	T/L	
153A2 365/80 R20	T/L	
155A2 405/70 R20	T/L	
15.5 R25	T/L	★1 ★2
17.5 R25	T/L	★1
20.5 R25	T/L	★1
23.5 R25	T/L	★1



# VKT

V-STEEL K-TRACTION  
L-2



Features exceptional stability and self-cleaning tread pattern. Ideal for soft, muddy surfaces, offering good traction and flotation.

Size	Type	Star Rating
14.00 R24	T/L	★1
15.5 R25	T/L	★1
17.5 R25	T/L	★1
20.5 R25	T/L	★1
23.5 R25	T/L	★1



# VSW

V-STEEL SNOW WEDGE  
L-2



VSW is the first of its kind in snow radials, especially developed for machines used in snow removal work. This tire has excellent traction from a standing start and during acceleration as well as superior cornering and braking performance, especially on icy, packed or soft snow surfaces. VSW provides all-season service, requiring no replacement during summer and offers exceptional ability to be retreaded.

Size	Type	Star Rating
176A2 17.5 R25	T/L	★1
20.5 R25	T/L	MS
23.5 R25	T/L	MS
187A2 600/65 R25	T/L	★1



# VJT

V-STEEL J-TRACTION  
L-3



Next-generation pattern reduces vibrations, and achieves higher riding comfort plus VMT's long-standing grip and long tread life. VJT is suitable for construction and general duties.

Size	Type	Star Rating
176A2 17.5 R25	T/L	★1 ★2
186A2 20.5 R25	T/L	★1
195A2 23.5 R25	T/L	★1 ★2
202A2 26.5 R25	T/L	★1 ★2
208A2 29.5 R25	T/L	★1



# VTS

V-STEEL TRACTION-STABILITY  
L-3



New generation VTS tire offers exceptional stability, superior riding comfort, optimum traction and reduced cost per performance than the 80 series of the same tread class. Designed primarily for wheeled loaders as the preferred line.

Size	Type	Star Rating
550/65 R25	T/L	★1
650/65 R25	T/L	★1
750/65 R25	T/L	★1
775/65 R29	T/L	★1
875/65 R29	T/L	MS



# VLTS

V-STEEL L-TRACTION S  
L-4



Offers best cut resistance and long tread life with superior traction on rocky or gravel surfaces in mines, quarries and construction sites.

Size	Type	Star Rating
186A2 20.5 R25	T/L	MS
195A2 23.5 R25	T/L	MS
203B 875/65 R29	T/L	MS

Loader and Dozer Service ▶



# VSNT

V-STEEL N-TRACTION

L-4



Unique non-directional traction pattern VSNT can provide optimum traction without compromising tread life. The wide tread is our concept to minimize sidewall cuts. Applicable for wheeled loaders operating in quarries or mining for load and carry operations with sure longitudinal traction.

Size	Type	Star Rating
26.5 R25	T/L	MS ★2
29.5 R25	T/L	MS ★2
29.5 R29	T/L	MS ★2
35/65 R33	T/L	MS ★2



# VSNL

V-STEEL N-LUG

L-4



14.00R20 35/65R33  
45/65R45

Rock pattern design offers outstanding traction, stability and comfort. Sidewall protection reduces cuts and other damage. Primarily designed for underground mining, they are also suitable for load and carry operations in open pits and quarries.

Size	Type	Star Rating
14.00 R20	T/T	★2
35/65 R33	T/L	★2
45/65 R45	T/L	★2



# VSDT

V-STEEL SUPER DEEP TRACTION

L-5



Extra-deep tread for excellent traction, comfortable ride, superior cut resistance and long tread life. The wide tread is our concept to minimize sidewall cuts. For use in underground mines, open pits and quarries.

Size	Type	Star Rating
195A2	23.5 R25	T/L ★1
201A2	23.5 R25	T/L ★2
202A2	26.5 R25	T/L ★1
209A2	26.5 R25	T/L ★2
208A2	29.5 R25	T/L ★1
216A2	29.5 R25	T/L ★2
211A2	29.5 R29	T/L ★1
218A2	29.5 R29	T/L ★2
217A2	35/65 R33	T/L ★1
224A2	35/65 R33	T/L ★2



# VSDL

V-STEEL D-LUG

L-5



8.25R15~ 15.5R25~  
12.00R20 60/80R57

Extra-deep tread designed for severe or rocky surfaces, offering excellent traction, stability and a comfortable ride. Specially designed sidewall provides extended protection from cutting. For use in underground mines, open pits and quarries.

Size	Type	Star Rating
8.25 R15	T/T	★2
10.00 R15	T/T	★2
14.5 R15	T/L	★2
12.00 R20	T/T	★2
15.5 R25	T/L	★1
17.5 R25	T/L	★1 ★2
20.5 R25	T/L	★1 ★2
23.5 R25	T/L	★1 ★2
26.5 R25	T/L	★1 ★2
29.5 R25	T/L	★1 ★2
29.5 R29	T/L	★1 ★2
35/65 R33	T/L	★1 ★2
45/65 R39	T/L	★1
45/65 R45	T/L	★1 ★2
50/65 R51	T/L	★2
55.5/80 R57	T/L	
60/80 R57	T/L	



# VSDR

V-STEEL SUPER DEEP ROCK

L-5



Extra super deep tread designed for severe or rocky surfaces, offering excellent traction, stability and a comfortable ride. Specially designed sidewall provides extended protection from cutting. For use in underground mines, open pits and quarries.

Size	Type	Star Rating
<b>New</b> 20.5 R25	T/L	★1 ★2



# VSMS

V-STEEL SMOOTH TREAD-MS

L-5S



Specially compounded, smooth, extra-deep tread rubber ensures maximum resistance to cutting and wearing. Designed for operating over severe rocky surfaces, in underground mines, open pits and quarries.

Size	Type	Star Rating
9.00 R20	T/T	★2
12.00 R20	T/T	★2
12.00 R24	T/T	★2
14.00 R24	T/T	★2
17.5 R25	T/L	★1 ★2
18.00 R25	T/L	★1 ★2
26.5 R25	T/L	★1 ★2
29.5 R29	T/L	★2

**Mobile Crane Service (High-Speed) ▶** .....

**Industrial Service ▶** .....



# VHS

V-STEEL HIGHWAY SERVICE

# VSW

V-STEEL SNOW WEDGE

# VHB

V-STEEL H-BLOCK

# VEL

V-STEEL E-LUG

# VSMS

V-STEEL SMOOTH TREAD-MS

# VSDL

V-STEEL D-LUG



Newly developed technology assures excellent performance, especially for mobile crane service (on-road conditions). New tread rubber achieves extra-long life and ideal tread pattern (closed shoulder, variable pitches) reduces noise level. Suitable for all-terrain cranes.

VSW is the first of its kind in snow radials, especially developed for machines used in snow removal work. This tire has excellent traction from a standing start and during acceleration as well as superior cornering and braking performance, especially on icy, packed or soft snow surfaces. VSW provides all-season service, requiring no replacement during summer and offers exceptional ability to be retreaded.

Features exceptional casing durability. Specially designed for mobile harbor cranes and towing tractors.

Normal-depth tread with sidewall protectors. Reinforced ★3 casing can cover industrial machine operations, especially automated guided vehicles (AGV).

Smooth extra-deep tread with a reinforced all-steel radial casing. For container handling equipment especially on abrasive concrete surfaces.

Extra-deep tread with a reinforced all-steel radial casing for heavy reach stackers.

Size	Type
170E 385/95 R24	T/T
170E 385/95 R25	T/L
170F	
177E 445/95 R25	T/L
174F	
186E 505/95 R25	T/L
176F 525/80 R25	T/L

Size	Type
170E 385/95 R25	T/L
177E 445/95 R25	T/L

Size	Type	Star Rating
14.00 R24	T/T	★3
16.00 R25	T/L	★2
18.00 R25	T/L	★3

Size	Type	Star Rating
18.00 R25	T/L	★3

Size	Type	Star Rating
18.00 R25	T/L	★2

Size	Type	Star Rating
23.5 R25	T/L	★2

❖ DOT approved

❖ DOT approved

Industrial Service ▶



## VCH

V-STEEL CONTAINER HANDLER



Features extra-long life, thanks to newly developed tread compound and smooth wear due to optimized contact pressure. Specially designed for container handling equipment, such as straddle carriers, container stackers, etc.

Size	Type	Star Rating
12.00 R20	T/T	★3
12.00 R24	T/T	★2
14.00 R24	T/T	★3



## VCHS

V-STEEL CONTAINER HANDLER SS



Newly developed all-steel radial casings improve operational stability and safety. The unique pattern is designed for longer tread life by preventing irregular wearing. Specially designed for container handling equipment, such as container stackers.

Size	Type	Star Rating
176A5 12.00 R20	T/T	★3
178A5 12.00 R24*	T/T	
196A5 14.00 R24TG	T/L	★3
196A5 14.00 R24	T/T	★3
214A5 18.00 R25	T/L	★3
219A5 18.00 R33	T/L	★3

\* 12.00 R24 VCHS is compliant with the ETRTO standard of industrial tires.



## VCHD

V-STEEL CONTAINER HANDLER DEEP



Features extra-long life, thanks to newly developed tread compound and smooth wear due to optimized contact pressure. Specially designed for container handling equipment, such as straddle carriers, container stackers, etc.

Size	Type	Star Rating
200A5 16.00 R25	T/L	

\* 16.00 R25 VCHD is compliant with the ETRTO standard of industrial tires.



## VCHR

V-STEEL CONTAINER HANDLER RIB



Exceptionally long tread life, superior driving comfort and enhanced overall operating efficacy. Specially developed for straddle carrier operation.

Size	Type	Star Rating
200A5 16.00 R25	T/L	

\* 16.00 R25 VCHR is compliant with the ETRTO standard of industrial tires.

OFF-THE-ROAD

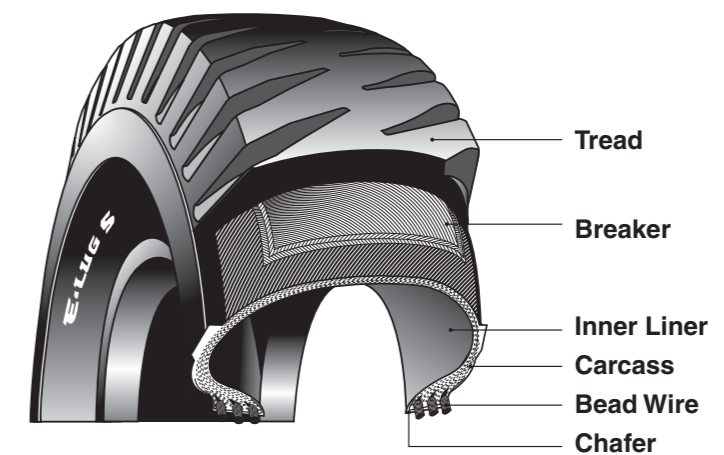
# BIAS TIRES

• <i>Earthmover Service</i> .....	30
• <i>Sand Service</i> .....	31
• <i>Grader Service</i> .....	31
• <i>Loader and Dozer Service</i> .....	32
• <i>Compactor Service</i> .....	34
• <i>Multiple Purpose Service</i> .....	35
• <i>Industrial Service</i> .....	36

## TIRE COMPONENTS

### BREAKDOWN OF OFF-THE-ROAD BIAS TIRES

This figure shows the basic construction of the Bridgestone Off-The-Road bias tires. This type of bias tire in any pattern consists of a carcass, tough bead wires, and breakers, and is designed to exhibit maximum performance. Note that the internal construction, thickness of rubber, etc., of bias tires are different depending on the size, pattern and ply rating of the tire.





Earthmover Service ▶



# RL

R-LUG  
E-3



RL's regular tread is designed with a specially compounded rubber to resist cutting and wearing, as well as overheating. Designed for operating on rock, coal and earth surfaces.

Size	Type	Ply Rating
10.00-20	T/T	14
11.00-20	T/T	14
12.00-20	T/T	18
12.00-24	T/T	20
14.00-24	T/T	24 28
16.00-25	T/L	28
18.00-25	T/L	32
37.25-35	T/L	36

# ELS2

E-LUG S2  
E-4



ELS2's deep specially compounded rubber effectively resists cutting and wearing. Designed for operating on rock, coal and earth where serviceability and cutting are big problems.

Size	Type	Ply Rating
18.00-33	T/L	32

# VL2

V-LUG2  
E-3



VL2 has incorporated all the benefits of RL, while increasing durability and lowering vibrations.

Size	Type	Ply Rating
20.5-25	T/L	16 20 24
23.5-25	T/L	16 20 24
26.5-25	T/L	20 24 26
29.5-25	T/L	22 28

Sand Service ▶

# SCP2

SAND CLIPPER-2  
E-7



SCP2's wide, round-shoulder design with straight ribs provides even tread wear for long serviceability, and remarkable flotation and traction on soft, loose sand. Its durable casing withstands the punishment of not only highway use, but also low-inflation-pressure operation on sand.

Size	Type	Ply Rating
14.00-20	T/T	18

Grader Service ▶



# FG

FAST GRIP  
G-2



FG's separate lugs are tapered for greater traction and self-cleaning, resulting in better driving on heavy dirt and in mud.

Size	Type	Ply Rating
13.00-24 TG	T/L	12
	T/T	10
14.00-24 TG	T/L	12 14
	T/T	12 16
16.00-24 TG	T/T	16
17.5-25	T/L	12
20.5-25	T/L	12
	T/T	12

# RL

R-LUG  
G-3



RL's regular tread is designed with a specially compounded rubber to resist cutting and wearing, as well as overheating. Designed for operating on rock, coal and earth surfaces.

Size	Type	Ply Rating
16.00-24 TG	T/T	16

Loader and Dozer Service ▶



**FG**  
FAST GRIP  
L-2



FG's separate lugs are tapered for greater traction and self-cleaning, resulting in better driving on heavy dirt and in mud.

Size	Type	Ply Rating
13.00-24 TG	T/L	12
	T/T	12
14.00-24 TG	T/L	12
	T/T	12
16.9-24	T/T	10
18.4-24	T/T	10
17.5-25	T/L	12
20.5-25	T/L	12
	T/T	12



**RL**  
R-LUG  
L-3



RL's regular tread is designed with a specially compounded rubber to resist cutting and wearing, as well as overheating. Designed for operating on rock, coal and earth surfaces.

Size	Type	Ply Rating
12.00-24	T/T	20
14.00-24	T/T	24
16.00-24 TG	T/T	16



**VL2**  
V-LUG2  
L-3



VL2 has incorporated all the benefits of RL, while increasing durability and lowering vibrations.

Size	Type	Ply Rating
15.5-25	T/L	12
17.5-25	T/L	16
	T/T	16
20.5-25	T/L	16 20
	T/T	16 20
23.5-25	T/L	16 20 24
	T/T	16 20 24
26.5-25	T/L	20 24 26
	T/T	24
29.5-25	T/L	22 28



**RLS**  
R-LUG S  
L-4



RLS's deep specially compounded rubber resists cutting and overheating. Designed for operating on rock, coal and earth surfaces where serviceability and tread cutting are problems.

Size	Type	Ply Rating
14.00-24	T/T	20
26.5-25	T/L	26
29.5-25	T/L	28



**NL**  
N-LUG  
L-4



A 65-series tire designed with a deep tread, special rubber compound, steel breakers and shoulder protecting ribs for superior stability, traction and flotation as well as resistance to wearing and cutting.

Size	Type	Ply Rating
35/65-33	T/L	24



**DL**  
D-LUG  
L-5



DL's extra-deep and specially compounded rubber and shoulder protecting ribs ensure maximum serviceability and resistance to cutting. Designed for severe rocky surfaces, and offers excellent traction and stability.

Size	Type	Ply Rating
17.5-25	T/L	16
20.5-25	T/L	12 16
23.5-25	T/L	20
29.5-25	T/L	28
35/65-33	T/L	42
40/65-39	T/L	56
45/65-45	T/L	58
50/65-51	T/L	62
65/65-57	T/L	62

Loader and Dozer Service >



# STMS

SMOOTH TREAD-MS

L-5S



STMS's smooth, extra-deep, and specially compounded rubber ensures maximum resistance to cutting and wearing. Designed for severe, rocky surfaces, such as those in underground mines, open pits and quarries.

Size	Type	Ply Rating
12.00-24	T/T	16 20
14.00-24	T/T	20
17.5-25	T/L	20
18.00-25	T/L	24 28 32
26.5-25	T/L	32 36
29.5-29	T/L	34

Compactor Service >



# RR

ROAD ROLLER

C-1



RR's smooth tread is specially designed for compacting road materials.

Size	Type	Ply Rating
7.50-15	T/T	12
9.5/65-15	T/T	6
7.50-16	T/L	6
	T/T	6
10.5/80-16	T/L	6
9.00-20	T/T	10
14/70-20	T/T	12



# AL2

ALLIGATOR2

C-2



AL2's unique tread pattern offers maximum flotation with minimum resistance to rolling. Ideal for use in the desert and on soft ground.

Size	Type	Ply Rating
23.1-26	T/T	8

Multiple Purpose Service

# FG

FAST GRIP

L-2



FG's separate lugs are tapered for greater traction and self-cleaning, resulting in better driving on heavy dirt and in mud.

Size	Type	Ply Rating
23X8.50-12	T/T	4
27X8.50-15	T/T	4
33X12.5-15	T/T	8
12.5/70-16	T/L	6 8
10-16.5	T/L	6 8
12-16.5	T/L	8 10
	T/T	8
15.5/60-18	T/L	8
15.5/70-18	T/L	8
10.00-20	T/T	10 14
11.00-20	T/T	10 16
42X17-20	T/T	10
17.5/65-20	T/L	10

Industrial Service ▶



# RL

R-LUG



RL has a standard tread depth and is applicable to a wide range of industrial type machines, especially the slow wearing type, such as a rubber-tired gantry crane (RTG).

Size	Type	Ply Rating
12.00-20	T/T	20
14.00-24	T/T	24 28
14.00-24 TG	T/L	24
16.00-25	T/L	28 32
	T/T	28
18.00-25	T/L	40
21.00-25	T/L	40
21.00-35	T/L	40



# RLS

R-LUG S



RLS's features are long tread life, thanks to extra-deep tread. Unique rubber compound resists cutting and wearing on smooth surface. Suitable for empty container handlers.

Size	Type	Ply Rating
16.00-25	T/L	28 32



# ELS2

E-LUG S2



Extra-deep tread corresponding to E4.5 is the main features of ELS2, which ensures longer tread life. Suitable for container handling equipment such as loaded container handlers (reach stackers), notorious for being the most severe conditions for tire wear.

Size	Type	Ply Rating
18.00-25	T/L	40
18.00-33	T/L	36
21.00-35	T/L	40



# STMS

SMOOTH TREAD-MS



STMS's main features are extra-long tread life and best riding comfort due to extra-deep and smooth tread design. Suitable for empty and loaded container handlers, especially on abrasive concrete surfaces.

Size	Type	Ply Rating
12.00-24	T/T	20
18.00-25	T/L	40



# YS2

YARD SERVICE-2



YS2 delivers excellent wear resistance for long serviceability as well as good traction and braking. Wear indicators inserted around the tread's circumference allow for easy measuring of the tread depth from any position. Specially designed for straddle carriers.

Size	Type	Ply Rating
16.00-25	T/L	32

## INDUSTRIAL SERVICE

Lift trucks, Empty container handlers	Loaded container handlers	Straddle carriers	Harbor cranes	Rubber tired gantry cranes
RL RLS YS2 STMS*	RL RLS ELS2* STMS*	YS2	RL	RL

\*When the average operating speed exceeds 10 km/h, consult your Bridgestone representative.

# ***PATTERN DIGEST***

